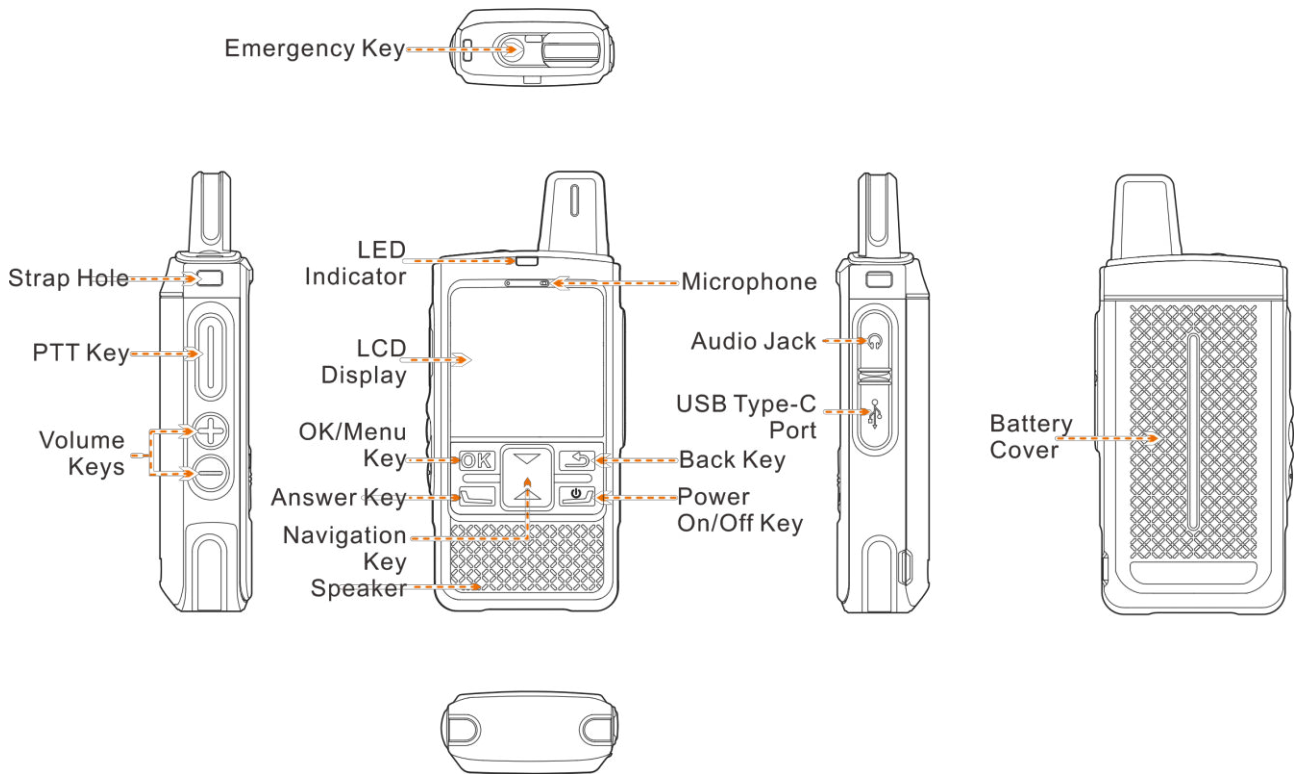


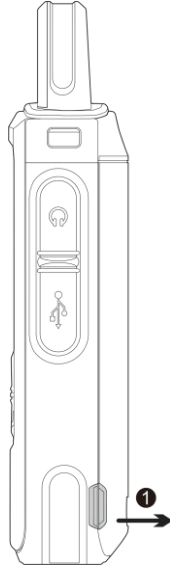
## 1. PNC360S Product Overview



## 2. Before Use

### 2.1 Installing the Nano SIM Card

1. Remove the battery cover with a proper tool.

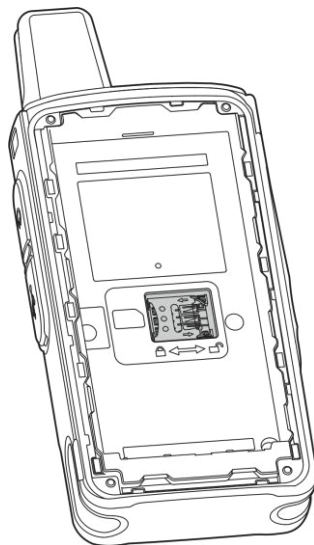


---

#### NOTE

- The battery cover is tightly fastened to ensure optimum waterproof performance. Therefore, you need to remove the battery cover with a proper tool.
  - Do not remove the battery cover by force.
- 

2. Open the SIM card slot cover.
3. Install the SIM card.
4. Put the card slot cover back in place.

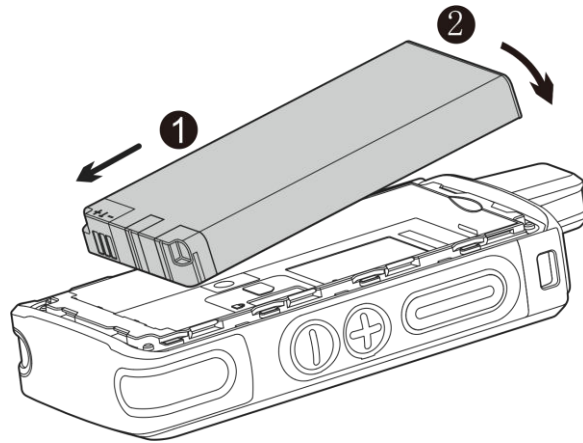


## 2.2 Attaching the Battery

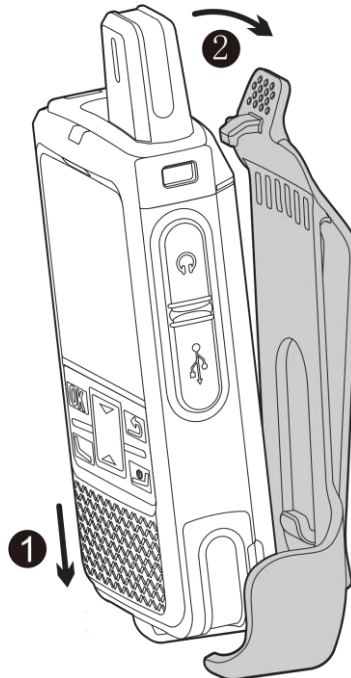
### CAUTION

- Use the approved battery to avoid the risk of explosion.
- Dispose of the used battery according to "Precautions for Disposal" in the *Safety Information Booklet*.

Attach the battery as shown below, and then attach the battery cover back.

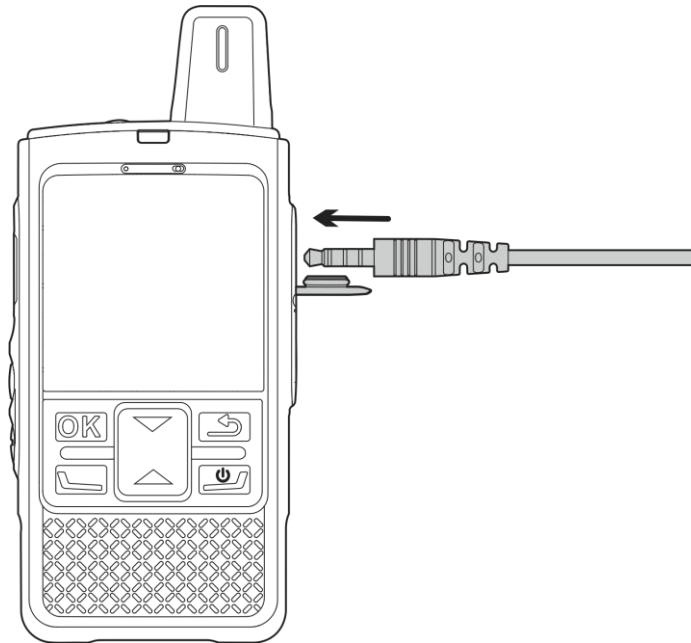


## 2.3 Attaching the Belt Clip



## 2.4 Attaching the Audio Accessory

Open the audio jack cover, and then insert the audio accessory into the jack.



---

## NOTE

To ensure optimum waterproof and dustproof performance, close the audio jack cover after disconnecting the audio accessory.

---

## 2.5 Charging the Battery

---

### CAUTION

- Use the approved charger to charge the battery.
  - Read the *Safety Information Booklet* before charging.
  - The remaining lithium-ion battery power is limited to 30% pursuant to the new lithium battery shipment regulation approved by the International Air Transport Association (IATA).
- 

Before initial use, charge the battery.

To charge the battery, connect the product to a power adapter, power bank, or computer with the USB cable.

To determine the charging status, check the battery icon shown on the LCD display.

---


## NOTE


To ensure optimum waterproof and dustproof performance, close the USB Type-C port cover after charging the product.

---

## 3. Basic Operations

### 3.1 Turning on/off the Product

To turn on the product, long press  for two seconds.

To turn off the product, long press  for two seconds, and then select **Power off**.

### 3.2 Adjusting the Volume

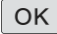

To increase the volume, press the **Volume +** key.

To decrease the volume, press the **Volume –** key.

### 3.3 Locking/Unlocking the Screen

1. To lock the screen, go to **Settings > Screen locked** to enable the feature.

If the product is not operated for a specific duration, the screen will be automatically locked.

2. To unlock the screen, press  and .

### 3.4 Connecting to the Network

To connect to the cellular network, install the Nano SIM card and activate the cellular data service.

### 3.5 Checking the Device Information


To check the information such as model, serial number, and version, go to **Settings > About phone**.

## 4. PoC Services

You can use Push-to-Talk over Cellular (PoC) services such as one-to-one or one-to-many voice call over the public network.

- To initiate a call, do as follows.
  - a. Select a contact.
  - b. Press and hold the **PTT** key, and then speak.
  - c. Release the **PTT** key.
- You can receive a call without any operation.

## 5. Specifications

| Specifications               |   |
|------------------------------|---|
| Model                        | PNC360S   |
| Frequency Range              | <ul style="list-style-type: none"> <li>● FDD-LTE: B1/B3/B7/B8/B20/B28</li> <li>● TDD-LTE: B38/B40</li> <li>● WCDMA: B1/B3/B8</li> <li>● GSM: 900/1800</li> <li>● BT: BT4.2</li> <li>● WIFI: 2.4GHz, 802.11b/g/n20/n40</li> <li>● GPS: GPS/Galileo/GLONASS/BeiDou</li> </ul> |
| Tx Power                     | <ul style="list-style-type: none"> <li>● GSM900: 32.5dBm</li> <li>● DCS1800: 29.5dBm</li> <li>● WCDMA B1/B3/B8: 24dBm</li> <li>● FDD-LTE (B1/B3/B7/B8/B20/B28): 24dBm</li> <li>● TDD-LTE (B38/B40): 24dBm</li> <li>● BT: 3dBm</li> <li>● WIFI: 17dBm</li> </ul>             |
| Operational Temperature      | -20°C to +60°C  |
| Battery Charging Temperature | 10°C to +45°C   |
| Software Version             | V1.0.01.000.02  |
| Hardware Version             | V1.00   |
| Accessories                  | Adaptor, Belt Clip, Battery   |
| Trademark                    |    |
| Adapter Model                | S010WV0500200   |
| Adapter Input                | 100-240V~50/60Hz 0.4A   |
| Adapter Output               | 5.0V/2.0A   |
| Battery Caution              | <p>CAUTION</p> <p>Risk of explosion if the battery is replaced by an incorrect type</p>   |

## Specifications

disposal of a battery into fire or a hot oven, or mechanically crushing or cutting of a battery, that can result in an explosion;

leaving a battery in an extremely high temperature surrounding environment that can result in an explosion or the leakage of flammable liquid or gas;

a battery subjected to extremely low air pressure that may result in an explosion or the leakage of flammable liquid or gas



### Hytera US Inc.

8 Whatney,  
Irvine, CA 92618  
(949) 326-5742

1363 Shotgun Road,  
Sunrise, FL 33326  
(954) 846-1011

[www.hytera.us](http://www.hytera.us) [info@hytera.us](mailto:info@hytera.us)

### Hytera Canada

100 Leek Crescent, Unit 11  
Richmond Hill, ON L4B 3E6  
(905) 305-7545

[www.hytera.ca](http://www.hytera.ca) [info@hytera.ca](mailto:info@hytera.ca)

(C) 2022 Hytera Communications Ltd. All rights reserved.